

## Editor's note

### Points of interest:

- Pedagogical kit
- The Bluethroat

### On weather and the present times...

Adverse weather crosses Europe, from severe drought in the Iberian Peninsula, to severe cold in the higher latitudes. Times of uncertainty and doubt about the future cross our times and crossroads loom where once roads seemed defined and solid at each step. There is a climate of pessimism in our times and we tend to look more inwards than out, to solve our own problems and leave what is common and collective for later, for other times...

ECOSAL was not unaffected by this atmosphere, the severe recession in Portugal and Spain requires restraint and greater scrutiny of public spending, which causes delays in implementation and payment, though these expenses were foreseen and justified within the projects. From an optimistic atmosphere of active collaboration, we have moved to a somewhat defensive and expectant strategy. A sign of the times...

We do, however, have to think that many of the goals we set ourselves only make sense and can only be attained with cooperation and common effort. As they are themselves small parts, small steps that contribute in their way to a project and a common destiny. This is the embodiment of the route of the Atlantic salt works, pursuing the idea of a monograph on the salt of the Atlantic, creating common tools for its management and interpretation, continuing the necessary training. These are, in these times, more important actions than ever.

Citing the poet Fausto Bordalo Dias "after these times come other times and other times come after those".

Renato Neves  
National coordinator of ECOSAL ATLANTIS in Portugal

### Inside this issue:

Editor's note	1
Action 3.8 pedagogical kit	2
Character	4
Events	5

## Action 3.8 pedagogical kit

The creation of a pedagogical kit is the subject of action 3.8, coordinated by Ecomusee du Marais Vendéen, le Daviaud, and is part of activity 3 - Communication.

The aim of this action is to create an educational resource which is common to all sites, that can help to explain the Atlantic salt route and present the result of ECOSAL ATLANTIS' design work in an entertaining and educational manner to the public. Another goal is to present salt production and the sites that are part of the salt route in an educational way, through the acquisition of knowledge, through discovery, observation and experimentation. Its delivery is scheduled for late 2012.

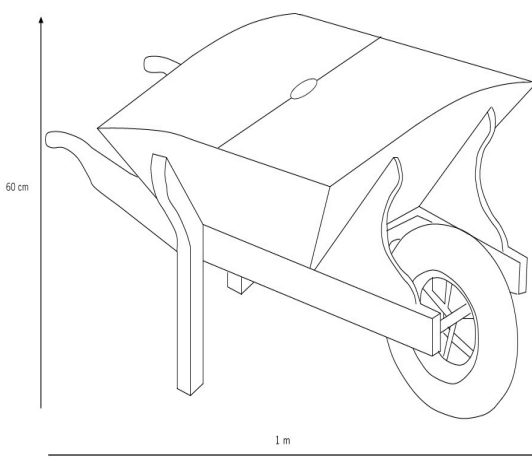


Figure 1 – Prototype of the pedagogical kit.

The resource kit may take the form of a small wheel-barrow (making reference to the transportation of salt). It can be used indoors (e.g. in a classroom) or outside (for example, near a saltpan or a salt works) and therefore move over uneven terrain. Its modular form has a dual function: to contain the necessary materials for the demonstrations and, when closed, provide a surface to help in the activities. The contents and the props for the activities will be constructed out of environment-friendly materials.

The resource kit is intended for the schoolchildren (6 to 12 years) and for people with learning disabilities.. The various partners will in this way have a common tool to help promote and explain the Atlantic salt route, in addition to the use of guided tours. The pedagogical kit can also adapt to the outside: schools, leisure centres, homes for the elderly, etc.

The contents of the kit are intended to present, at first, a general perspective of salt production, as a way of becoming familiar with this element which is common to all. Secondly, the contents will allow the mediator to evoke salt production in the different saltpans of the Atlantic, covering the various types of salt-works, salt history, techniques and how it is harvested, the various products, etc. It may also present information about a specific site.

This resource is a full access educational tool. The activities are designed to be used with instructions and with tools to support the mediator's presentations.

It will consist of two parts:

- A box with various objects and tools, resources for manipulation and observation and documentation resources that will allow mediators to create simulations or specific workshops, depending on the themes and options to be addressed.

In this kit you can find e.g. miniature objects for the collecting or transport of salt, to reproduce the actions of the salt-worker; species of flora and fauna of salt-sites e.g. salicornia, brine shrimp and even an avocet (*Recurvirostra avosetta*) to illustrate the biodiversity of salt-sites; samples of different types of salt such as coarse salt, fleur de sel or "salt cheese". The kit includes some audio and video materials to evoke the imagery of salt and to play sounds and noises associated with salt-production and, finally, some teaching resources such as an illustrated glossary to recall the vocabulary of specific regional salt production.



Figure 2 - Plan of the saltpans [1 - Pond, 2 - Secondary Pond 3 - Concentration Areas, 4 - Pans]

• The kit will consist of educational activities based on play, discovery and experimentation. It will contain a magnetic map of Western Europe, so children can geographically locate the sites of the ECOSAL Atlantis partners; a schematic and a sectioned plan of a saltpan, to explain how the salt water is conducted to the pans; a building game to help in analysing the structure of a saltpan, which is different from site to site and an articulated doll to illustrate the movements of the salt worker, the customs of past times or other forms of transporting salt.

Thanks to the participation of all partners of the ECOSAL ATLANTIS programme, a large amount of information and pictures can be explored through this resource.. Other activities of the program such as activity 6 – Biodiversity, and activity 4 - Heritage can also enable us to provide content for this educational tool..

We are currently drafting a scenario for this resource with the French and Portuguese partners, in order to proceed with its launch in the spring of 2012.

Important dates:

- February 2012: working group with the French partners for the writing of the contents of the kit.
- March 6 and 7 2012: working group with Portuguese partners, to validate the contents and physical form of the kit.

Leonie AUDIO (Mediatrice des publics)  
Communauté de communes de Monts Océan Marais.



Figure 3 – Salt carrying, Ile d'Oléron.



# Character

## The Bluethroat (*Luscinia svecica*)

The Bluethroat is a pretty little bird that has several European subspecies corresponding to different geographical areas. Although with discontinuities, it nests from Cantabria to the sub-arctic latitudes of Scandinavia and Russia. In many regions it is a bird of the mountains (Alps, Carpathians) in others, it lives in low-lying wetlands. Further north it appears in tundra clumps or on the glades in boreal forests.

From among the various subspecies of bluethroat considered, the namnetum is particularly interesting because it nests in the French Atlantic coast in salt marshes and salt flats. The name namnetum derives from the name of a tribe in Gaul, the Romans called the present city of Nantes Portus Namnetum.

If the limited geographical distribution of the population of this subspecies is in itself quite peculiar, more peculiar still is the fact that it leaves its breeding grounds in autumn to migrate to estuarine areas of Portugal and southwestern Spain, thus using the exact same type of habitat (marshes and salt flats) both for nesting and wintering.

This fact began to be known from the mid-seventies and it was Pierre Constant, a researcher at the University of Rennes, who pioneered the study of this population in both locations – their breeding grounds and their wintering grounds, particularly in the Tagus estuary. For several years Pierre Constant spent long stretches of time in Portugal, during the autumn and winter, and he also contributed to the training of Portuguese ornithologists who accompanied him on these operations. His contribution to the knowledge of the biological value of the marshes and their preservation is very important, which led to the regional nature reserve, situated in the Department of the Loire Atlantique, being named after him.

As for the bluethroats, they continue to be studied and better known, they continue annually to use a salt route, linking the salt pans of the west of France to Portugal and to Andalusia.

Their presence, their journeys and the evocation of Pierre Constant motivate us to continue and consolidate the project of the route of the Atlantic's traditional salt works.



Figure 1 - Bluethroat (*Luscinia svecica*).



Figure 2 - Marshland in the Tagus estuary.

Renato Neves  
National coordinator of ECOSAL ATLANTIS in Portugal

## Photo exhibition "Salt People"

**Núcleo Museológico do Sal, Portugal, February 10 to May 6, 2012**

"Salt People" is a photographic narrative developed in Figueira da Foz salt pans, in Mondego River Estuary, by the photographer Paulo Mesquita.

In an attempt to capture the essence of the salt and the actors of this narrative, the author presents us with images surrounded by passion.

This exhibition shows "Salt People" through their arduous activity that they have carried on for many years, always with the same delivery and self-sacrifice in the struggle for survival.

Núcleo Museológico do Sal



## Ancient Salt Making

**Anderby Creek , UK, - Sunday 25 March 2012**

Join artsNK and archaeologists at Anderby Creek on the 25th March 10-4 pm for this free drop in event. Ancient Salt making will be demonstrated throughout the day on the beach by the Cloud Bar. Inspired by the new SOTE SaltLick commission.

Coastal Saltmaking is one of Lincolnshire's most ancient industries. Many prehistoric and Roman sites are known in Lincolnshire where seawater was heated over hearths and in ovens until the salt crystallised. Using replica heating structures, ceramic containers and supports, this experiment seeks to mirror the evidence found on excavated sites to produce a mineral essential for life, namely salt.

While the process is ongoing there will be display boards to view describing the process, the distribution of sites and some of the ritual aspects of saltmaking. Experts will also be on hand to answer questions and to tell some salty tales.

Andrew Fielding (A & A Fielding Ltd)



## Technical meeting on heritage

**Museu da Cidade de Aveiro, Portugal, 16th and 17th April 2012**

Salt-producing sites, as locations of direct relation between human action and the landscape, carry with them a high cultural heritage value of keen museological interest. Knowing the reality and establishing guidelines for the management and dissemination of this heritage are the challenges faced by specialists and entities that are responsible for these areas, with a view to preserving them and simultaneously fostering local development.

The Municipality of Aveiro is hosting two days of technical meetings, in order to promote the sharing of experiences between the project partners and other organizations as well as to design action strategies for the preservation of the salt-sites as heritage.

The initiative is one of the actions foreseen in the ECOSAL ATLANTIS project and is directly related to Action 4.4 [museological and heritage management]. The relevance and timeliness of the subjects are coincident with the theme chosen by UNESCO, this year, to commemorate the International Day for Monuments and



Imagoteca | Museu da Cidade de Aveiro | Instalação Artística instalação and tour in the Ecomuseu Marinha da Troncalhada.

Sites [April 18], with the title "From World Heritage to Local Heritage: protecting and managing change". The occasion, which also coincides with the beginning of the salt harvesting season will be an opportunity to present the new interpretation means and the improvements made to Ecomuseu Marinha da Troncalhada [5.6 Action].

Universidade de Aveiro

## The 4th Salt Sunday Celebration in Cheshire, UK

**Sunday 13 May 2012**

Salt Sunday is the idea of the Bishop of Birkenhead who will hold an open air service to celebrate God's gift of salt. For further information visit [Saltoftheearth](http://www.saltoftheearth.btck.co.uk/Gallery/PhotographsfromSaltSunday09)

Andrew Fielding (A & A Fielding Ltd)



Bishop Keith harvests salt from the boiling salt pan  
([www.saltoftheearth.btck.co.uk/Gallery/PhotographsfromSaltSunday09](http://www.saltoftheearth.btck.co.uk/Gallery/PhotographsfromSaltSunday09))

## Salt Extraction - Museums at Night

**Gallery Gardens, Newlyn Art Gallery, UK, -19 May 2012**

In the grounds of Newlyn Art Gallery in Cornwall, Andrew Fielding, well-known expert in salt workings and their heritage, will be extracting salt from sea water collected from Mount's Bay. Using the ancient method of heating over a peat fire in ceramic troughs, Andrew will aim to see how much salt he can produce in a twelve-hour period from 8pm on Saturday 19th to 8am on Sunday 20th May. Fish will also be smoked throughout the night and many a story told.

Andrew Fielding (A & A Fielding Ltd)

## 7th. International Fair of Salt

**Aveiro, Portugal, 12 to 15 July 2012**

Between 12 and 15 July, the 7th annual International Salt Fair will take place in Aveiro, marking the season of salt production.

As in previous years, the event seeks to promote saltmaking sites, as well as the various uses of salt. This product, in addition to being a traditional condiment, has gained new uses and has given rise to innovative products. The diversity of participants showing a wide variety of new salt products indicates their potential as tools for developing economic growth and cultural tourism.

Museu da Cidade de Aveiro | Câmara Municipal de Aveiro



Imagoteca | Museu da Cidade de Aveiro | Feira Internacional do Sal.

## Salt Making Demonstration

**Lincolnshire, , Sunday 22 July 201**

With Heritage Trust for Lincolnshire and the Lincolnshire Grazing Marshes Partnership Project. At the Prussian Blue, Saltfleetby, Lincolnshire, UK.

Andrew Fielding (A & A Fielding Ltd)



A saltern, where salt was made from sea water.  
(Lindsey Archaeological Services)  
([lincsmarshes.org.uk/index.php?page=Introduction](http://lincsmarshes.org.uk/index.php?page=Introduction))